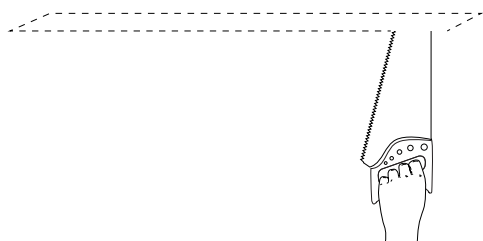


L3 Outdoor - Darkway - Recessed With Trim

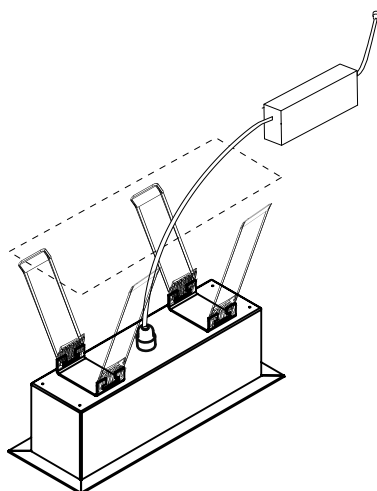
Product Installation Guide

1



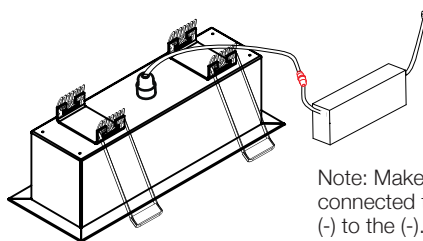
Make a cut out in the surface of the dimensions
15cm: 50 x 172 mm
30cm: 50 x 327 mm.

3



Lift the springs up and insert the luminaire into the cut out.

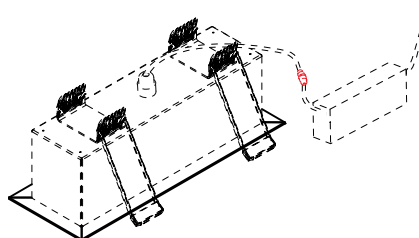
2



Note: Make sure the (+) is connected to the (+) and the (-) to the (-).

Turn off the power supply and connect the wires from the remote driver to the wires of the luminaire by the means of the connector.

4



Release the springs.